

# SATEL-LP-DI8



I/O extension module with 8 digital inputs or 2 pulse inputs

Data sheet  
106930\_en\_01

© SATEL

2016-12-07

## 1 Description

The I/O extension module can be used in conjunction with SATEL-LP wireless modules. In a station structure, you can connect up to 32 I/O extension modules to a wireless module via the DIN rail connector.

The digital I/O extension module is used for processing eight digital input signals 0 ... 30.5 V DC or two pulse signals 0 ... 100 Hz.

### Features

- Easy and tool-free I/O mapping via thumb wheel on the front
- Modular design via DIN rail connector (hot-swap capable)
- 8 digital inputs (0 ... 30.5 V DC)
- 2 pulse inputs (0 ... 100 Hz)
- International approvals
- Installation in Ex zone 2



**WARNING: Explosion hazard when used in potentially explosive areas**

The device is a category 3 item of electrical equipment. Follow the instructions provided here during installation and observe the safety notes.



Make sure you always use the latest documentation.  
It can be downloaded from the product at [www.satel.com](http://www.satel.com).

**SATEL**

---

|          |  |    |
|----------|--|----|
| <b>2</b> | <b>Table of contents</b>                                 |    |
| 1        | Description .....  | 1  |
| 2        | Table of contents .....                                  | 2  |
| 3        | Ordering data .....                                      | 3  |
| 4        | Technical data .....                                     | 3  |
| 5        | Safety regulations and installation notes.....           | 6  |
|          | 5.1 Installation notes .....                             | 6  |
|          | 5.2 Installation in Zone 2.....                          | 7  |
|          | 5.3 UL Notes .....                                       | 7  |
| 6        | Installation .....                                       | 8  |
|          | 6.1 Structure .....                                      | 8  |
|          | 6.2 Basic circuit diagram .....                          | 8  |
|          | 6.3 Setting the DIP switches .....                       | 9  |
|          | 6.4 Network applications (operating mode) .....          | 9  |
|          | 6.5 Functions in pulse counter mode .....                | 9  |
|          | 6.6 I/O MAP address in the SATEL-LP wireless system..... | 10 |
|          | 6.7 Display and diagnostic elements .....                | 11 |
|          | 6.8 Digital inputs.....                                  | 11 |
|          | 6.9 Mounting and removing.....                           | 12 |
|          | 6.10 Connecting cables .....                             | 13 |
| 7        | Process data.....  | 14 |
|          | 7.1 Functions in pulse counter mode .....                | 14 |

### 3 Ordering data

| Description  | Type           | Order No. | Pcs./Pkt. |
|--|----------------|-----------|-----------|
| Digital I/O extension module with 8 digital inputs (0 ... 30.5 V DC) or 2 pulse inputs (0 ... 100 Hz), with screw connection, including DIN rail connector   | SATEL-LP-DI8   | YI0106    | 1         |
| Accessories  | Type           | Order No. | Pcs./Pkt. |
| 2400 MHz wireless transceiver with RS-232, RS-485 2-wire interface, expandable with I/O extension modules, with screw connection, antenna connection: RSMA (female), including DIN rail connector, without antenna                           | SATEL-LP24     | YM0424    | 1         |
| 868 MHz wireless transceiver with RS-232, RS-485 2-wire interface, expandable with I/O extension modules, with screw connection, antenna connection: RSMA (female), including DIN rail connector, without antenna.                           | SATEL-LP8      | YM0408    | 1         |
| Bidirectional, 900 MHz transceiver for wireless transmission of serial and I/O data  | SATEL-LP9      | YM0409    | 1         |
| Multipoint multiplexer for RS-485 bus system, can be extended with I/O extension modules. Can be used as Modbus/RTU bus coupler or combined with SATEL-LP wireless system, screw connection. Up to 99 stations, including DIN rail connector | SATEL-LP-RS485 | YI0109    | 1         |
| Digital I/O extension module with 8 digital transistor outputs (30.5 V DC/200 mA), with screw connection, including DIN rail connector   | SATEL-LP-DO8   | YI0107    | 1         |

### 4 Technical data

| Dimensions                             |   |
|--|---|
| Dimensions W/H/D                       | 17.5 mm / 99 mm / 114.5 mm                                  |
| General data                           |   |
| Overvoltage category                   | II  |
| Mounting position                      | any, on standard DIN rail NS 35 in accordance with EN 60715 |
| Degree of protection                   | IP20  |
| Degree of pollution                    | 2   |
| Type of housing                        | PA 6.6-FR, black  |
| Flammability rating according to UL 94 | V0  |

**General data**

MTTF (mean time to failure) Telcordia standard, 25°C temperature, 21% operating cycle (5 days a week, 8 hours a day) 1624 Years

MTTF (mean time to failure) Telcordia standard, 40°C temperature, 34.25% operating cycle (5 days a week, 12 hours a day) 612 Years

MTTF (mean time to failure) Telcordia standard, temperature 40°C, operating cycle 100% (7 days a week, 24 hours a day) 233 Years

**Supply**

Supply voltage range 19.2 V DC ... 30.5 V DC (DIN rail connector)

Max. current consumption ≤ 18 mA (At 24 V DC, at 25°C)

Transient surge protection Yes

**Digital input**

Number of inputs 8

Input signal, voltage 0 V DC ... 30.5 V DC

Switching level "1" signal 10 V DC ... 30.5 V DC

Switching level "0" signal 0 V DC ... 4 V DC

Input frequency ≤ 10 Hz (Static mode)

Max. current consumption < 1 mA

**Pulse input**

Number of channels 2

Voltage input signal 0 V DC ... 30.5 V DC

Switching level "1" signal 10 V DC ... 30.5 V DC

Switching level "0" signal 0 V DC ... 4 V DC

Input frequency < 100 Hz (Pulse counter mode)

Pulse length ≥ 5 ms (Pulse/pause ratio 1:1)

Process data channel 32 Bit (per channel)

**Electrical isolation**

Digital I/O 50 V (Rated insulation voltage (between the channel groups 1...4 and 5...8/TBUS supply, reinforced insulation according to EN 61010))

300 V (Rated insulation voltage (to adjacent devices, basic insulation in accordance with EN 61010))

**Test voltage**

Digital I/O 1.5 kV AC (50 Hz, 1 min.)

**Connection data**

|                                   |   |
|-----------------------------------|---|
| Connection method                 | Screw connection                            |
| Conductor cross section, solid    | 0.2 mm <sup>2</sup> ... 2.5 mm <sup>2</sup> |
| Conductor cross section, flexible | 0.2 mm <sup>2</sup> ... 2.5 mm <sup>2</sup> |
| Conductor cross section AWG/kcmil | 24 ... 14                                   |
| Stripping length                  | 7 mm  |
| Tightening torque                 | 0.6 Nm                                      |

**Status indication**

|                |  |
|----------------|--|
| Status display | Green LED (supply voltage, PWR)<br>Green LED (bus communication, DAT)<br>Red LED (periphery error, ERR)<br>Green LED (counter mode, CNT)<br>Yellow LED (digital input, DI1)<br>Yellow LED (digital input, DI2)<br>Yellow LED (digital input, DI3)<br>Yellow LED (digital input, DI4)<br>Yellow LED (digital input, DI5)<br>Yellow LED (digital input, DI6)<br>Yellow LED (digital input, DI7)<br>Yellow LED (digital input, DI8) |
|----------------|--|

**Ambient conditions**

|  |  |
|--|--|
| Ambient temperature (operation)          | -40 °C ... 70 °C<br>-40 °F ... 158 °F                  |
| Ambient temperature (storage/transport)  | -40 °C ... 85 °C<br>-40 °F ... 185 °F                  |
| Permissible humidity (operation)         | 20 % ... 85 %  |
| Permissible humidity (storage/transport) | 20 % ... 85 %  |
| Altitude                                 | 2000 m   |
| Vibration (operation)                    | in accordance with IEC 60068-2-6: 5g, 10 Hz ... 150 Hz |
| Shock                                    | 16g, 11 ms   |

**Certification**

|   |  |
|---|--|
| Conformance   | CE-compliant   |
| ATEX<br>Please follow the special installation instructions in the documentation! | Ⓔ II 3 G Ex nA IIC T4 Gc (IBExU16ATEXB019 X)                                       |
| IECEX   | Ex nA IIC T4 Gc (IECEX IBE 16.0030X)   |
| UL, USA/Canada  | UL 508 Listed<br>Class I, Div. 2, Groups A, B, C, D T4A<br>Class I, Zone 2, IIC T4 |

**Conformance**

|                          |                            |
|--------------------------|----------------------------|
| EMC directive 2014/30/EU | EN 61000-6-2; EN 61000-6-4 |
| Ex directive (ATEX)      | EN 60079-0; EN 60079-15    |

## 5 Safety regulations and installation notes

**WARNING: Risk of electric shock**

- Provide a switch/circuit breaker close to the device, which is labeled as the disconnect device for this device or the entire control cabinet.
- Disconnect the device from all power sources during maintenance work and configuration (the device can remain connected to SELV or PELV circuits).
- The housing of the device provides a basic insulation against the neighboring devices, for 300 V eff. If several devices are installed next to each other, this has to be taken into account, and additional insulation has to be installed if necessary. If the neighboring device is equipped with basic insulation, no additional insulation is necessary.

### 5.1 Installation notes

**WARNING:**

Observe the following safety notes when using the device.

- The category 3 device is designed for installation in zone 2 potentially explosive areas. It meets the requirements of EN 60079-0:2012+A11:2013 and EN 60079-15:2010.
- Installation, operation, and maintenance may only be carried out by qualified electricians. Follow the installation instructions as described.
- When installing and operating the device, the applicable regulations and safety directives (including national safety directives), as well as general technical regulations, must be observed. The technical data is provided in the package slip and on the certificates (conformity assessment, additional approvals where applicable).
- The device must not be opened or modified. Do not repair the device yourself, replace it with an equivalent device. Repairs may only be carried out by the manufacturer. The manufacturer is not liable for damage resulting from violation.
- The IP20 protection (IEC 60529/EN 60529) of the device is intended for use in a clean and dry environment. The device must not be subject to mechanical strain and/or thermal loads, which exceed the limits described.
- To protect the device against mechanical or electrical damage, install it in a suitable housing with appropriate degree of protection as per IEC 60529.
- The device is not designed for use in atmospheres with a danger of dust explosions.
- If dust is present, it is necessary to install into a suitable approved housing, whereby the surface temperature of the housing must be taken into consideration.

## 5.2 Installation in Zone 2

**WARNING: Explosion hazard when used in potentially explosive areas**

Please make sure that the following notes and instructions are observed.

- Observe the specified conditions for use in potentially explosive areas! Install the device in a suitable approved housing (with a minimum of IP54 protection) that meets the requirements of EN 60079-15. Observe the requirements of EN 60079-14.
- In zone 2, only connect devices to the supply and signal circuits that are suitable for operation in the Ex zone 2 and the conditions at the installation location.
- In potentially explosive areas, terminals may only be snapped onto or off the DIN rail connector and wires may only be connected or disconnected when the power is switched off.
- The switches of the device that can be accessed may only be actuated when the power supply to the device is disconnected.
- The device must be stopped and immediately removed from the Ex area if it is damaged, was subject to an impermissible load, stored incorrectly or if it malfunctions.

## 5.3 UL Notes

**INDUSTRIAL CONTROL EQUIPMENT FOR HAZARDOUS LOCATIONS 45FP**

- A This equipment is suitable for use in Class I, Zone 2, IIC T4 and Class I, Division 2, Groups A, B, C,D T4A hazardous locations or non-hazardous locations only.
- B **WARNING - EXPLOSION HAZARD - DO NOT DISCONNECT EQUIPMENT UNLESS POWER HAS BEEN SWITCHED OFF OR THE AREA IS KNOWN TO BE NON-HAZARDOUS.**
- C **WARNING - EXPLOSION HAZARD - SUBSTITUTION OF COMPONENTS MAY IMPAIR SUITABILITY FOR CLASS 1, DIVISION 2.**
- D These devices are open-type devices that are to be installed in an enclosure suitable for the environment that is only accessible with the use of a tool.
- E **WARNING - Exposure to some chemicals may degrade the sealing properties of materials used in relays within this device.**

## 6 Installation



**NOTE: electrostatic discharge!**

The device contains components that can be damaged or destroyed by electrostatic discharge. When handling the device, observe the necessary safety precautions against electrostatic discharge (ESD) according to EN 61340-5-1 and IEC 61340-5-1.

### 6.1 Structure

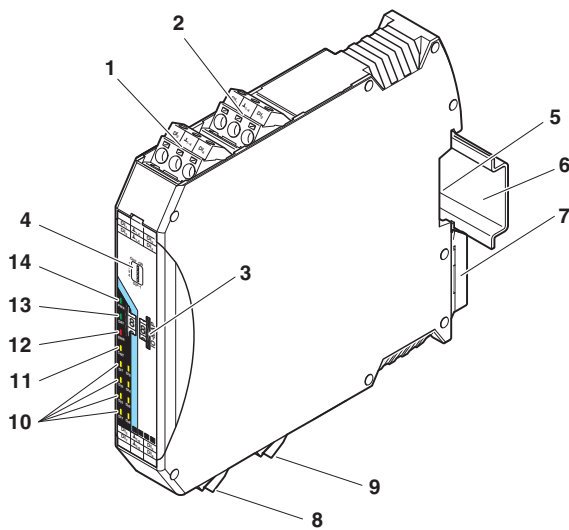


Figure 1 Function elements

| Pos. | Designation  |
|------|--|
| 1    | Digital inputs 3 + 4   |
| 2    | Digital inputs 1 + 2, DI1: Pulse input 1   |
| 3    | White thumbwheel for setting the I/O-MAP address                                       |
| 4    | DIP switch for switching between static mode and pulse counter mode for digital inputs |
| 5    | Connection option for DIN rail connector   |
| 6    | DIN rail   |
| 7    | Metal foot catch for DIN rail fixing   |
| 8    | Digital inputs 5 + 6   |
| 9    | Digital inputs 7 + 8, DI7: Pulse input 2   |
| 10   | Status LEDs for digital inputs DI1 ... DI8   |
| 11   | CNT status LED, green (pulse counter mode)   |
| 12   | ERR status LED, red (communication error)  |
| 13   | DAT status LED, green (bus communication)  |
| 14   | PWR status LED, green (supply voltage)   |

### 6.2 Basic circuit diagram

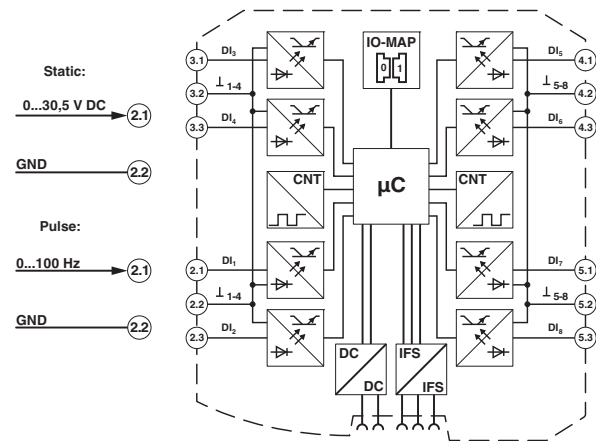


Figure 2 Basic circuit diagram



### 6.3 Setting the DIP switches

Static mode or pulse counter mode can be selected using the DIP switch.

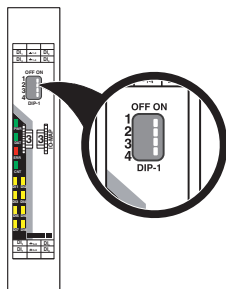


Figure 3 DIP switches

| Input       | Configuration      | DIP switch |       |       |       |
|-------------|--------------------|------------|-------|-------|-------|
|             |                    | 1          | 2     | 3     | 4     |
| Digital IN  |                    |            |       |       |       |
| DI1 ... DI8 | Static mode        | OFF        | n. c. | n. c. | n. c. |
| Counter IN  |                    |            |       |       |       |
| DI1+DI7     | Pulse counter mode | ON         | n. c. | n. c. | n. c. |

n. c. = not connected, DIP switches 2 ... 4 have no function

- After setting the DIP switches: disconnect the power to the device. Then reconnect the power supply (power up).

### 6.4 Network applications (operating mode)

You can set the network application of the wireless module with the SATEL-LP-CONF software. All SATEL-LP wireless modules are set to I/O data mode (wire in/wire out) by default.

#### Wireless module in I/O data mode

In an I/O-to-I/O network, only the I/O signals of the connected analog and digital I/O extension modules are transmitted. Assign the inputs and outputs of the extension modules quickly using the white thumbwheel.

In this mode, the serial RS-232 and RS-485 interfaces on the wireless module are deactivated.

#### Wireless module in PLC/Modbus RTU mode

In PLC/Modbus RTU mode, the wireless master operates as a Modbus slave. The master PLC controls all commands and initiates all data requests.

Input and output data is stored in a Modbus Memory Map in the master wireless module. In this mode, you can access process and diagnostic data for the individual network devices via a Modbus controller.

### 6.5 Functions in pulse counter mode

Max. counter state: 4.294.967.295

Overrun: When the maximum counter state is reached, the counter state is automatically set to 0.

You can manually reset the counter state in various ways.

#### Reset counter state via power up

- Disconnect the power to the device. Then reconnect the power supply (power up).

#### Reset counter state via Modbus/RTU

- Reset the counter states via Modbus/RTU as follows:  
DI1: bit 0 = 1 (register 40xx1)  
DI7: bit 1 = 1 (register 40xx1)

#### Reset counter state by setting the inputs

- DI1: set input DI3 for 0.5 seconds.  
DI7: set input DI5 for 0.5 seconds.

**6.6 I/O MAP address in the SATEL-LP wireless system**

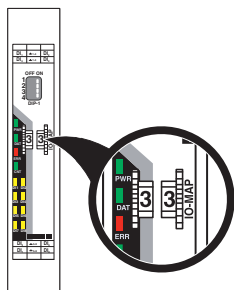


Figure 4 Thumb wheel

Use the thumbwheel to set the I/O-MAP address. The extension module in the SATEL-LP wireless system is addressed using the I/O-MAP address.

The I/O MAP address of an input module may only appear once in the network.

| Thumbwheel   | Description           |
|--------------|-----------------------|
| 01 - 99      | I/O MAP address       |
| 00           | Delivery state        |
| ** , 1* - 9* | Setting not permitted |
| *1 - *9      | Setting not permitted |

**Wireless module in I/O data mode**

The input device must be provided with the same I/O MAP address as the assigned output device at the other wireless station (I/O mapping).

| Example:     | I/O MAP address |
|--------------|-----------------|
| SATEL-LP-DI8 | 02              |
| SATEL-LP-DO8 | 02              |

Only the SATEL-LP-DI8 module can be assigned to the SATEL-LP-DO8 module.

- Static mode      The digital inputs DI1 ... DI8 can be mapped to the digital outputs DO1 ... DO8 of the SATEL-LP-DO8 extension module.
- Pulse counter mode      No function in the I/O data mode

**Wireless module in PLC/Modbus RTU mode**

- Static mode      The I/O data of the eight digital inputs (DI1 ... DI8) is stored in an internal Modbus memory map in the master wireless module.  
Access to process and diagnostic data via the Modbus RTU controller
- Pulse counter mode      Access to 32-bit process data from the pulse inputs DI1 + DI7 via the Modbus RTU controller

You can read or write the process data via the serial interface of the master wireless module (RAD-ID = 01) using the Modbus RTU commands (see Section 7).

## 6.7 Display and diagnostic elements

The I/O extension module uses a total of 12 LEDs to indicate the operating states.

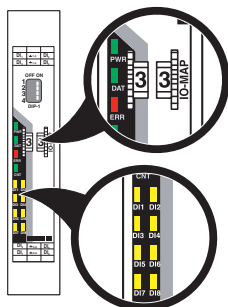


Figure 5 Display and diagnostic elements

### PWR LED

The green PWR LED indicates the supply voltage status.

- OFF No supply voltage
- ON Supply voltage OK

### DAT LED

The green DAT LED indicates the bus communication status.

- OFF No communication
- Flashing Configuration and addressing mode
- ON Cyclic data communication

### ERR LED

The red ERR LED indicates the error status, e.g., no corresponding output module found (e.g., incorrect addressing).

- OFF No error
- Flashing **Slow (1.4 HZ):** I/O-MAP address changed, mode switched using DIP switch 1, but not yet read via wireless module.  
**Fast (2.8 Hz):** no bus communication
- ON Critical internal error

### CNT LED

The green CNT LED indicates that pulse counter mode is activated.

- OFF Static mode of digital inputs DI1 ... DI8
- Flashing Mode switched using DIP switch 1, but not yet read via wireless module.
- ON Pulse counter mode of digital inputs DI1 + DI7

### DI1 ... DI8

The yellow DI1 ... DI8 LEDs indicate the state of the digital inputs. In pulse counter mode: the DI1 + DI7 LEDs flash in time with the recorded pulses. The DI3 and DI5 LEDs light up when the counter state is reset.

- DI3 On (0.5 s) Counter state DI1 reset to 0
- DI5 On (0.5 s) Counter state DI7 reset to 0

## 6.8 Digital inputs

The eight inputs are arranged in two groups of four inputs each with a common ground (GND).

The two DC groups are electrically isolated from one another, from the supply voltage (via bus foot), and from other electronic components.

|                    |                      |  |
|--------------------|----------------------|--|
| Static mode        | DIP1=OFF -<br>STATIC | Static digital inputs<br>DI1 ... DI8 activated,<br>0 ... 30.5 V DC |
| Pulse counter mode | DIP1=ON -<br>IMPULSE | Pulse inputs DI1 + DI7<br>activated, pulse 0 ... 100 Hz            |

## 6.9 Mounting and removing

### Connection station with I/O extension modules

Up to 32 different I/O extension modules can be connected to every wireless module via the DIN rail connector (see accessories). Data is transmitted and power is supplied to the I/O extension modules via the bus foot.

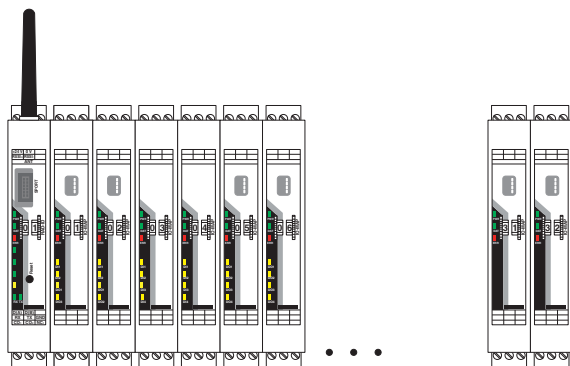


Figure 6 SATEL-LP connection station with up to 32 I/O extension modules



Only mount the I/O extension modules to the right of the wireless module.

### Assembly

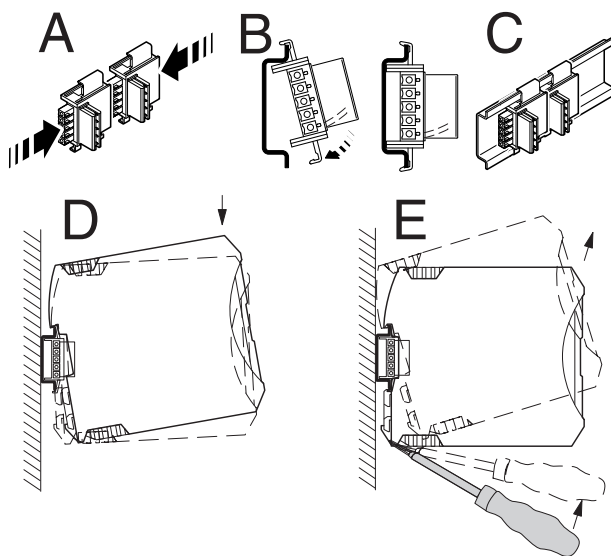


Figure 7 Mounting and removing

When using the device in a connection station, use the 17.5 mm wide DIN rail connector supplied. Only use the DIN rail connector in connection with 24 V DC devices.



Outside the Ex area, module extension or module replacement is also possible during operation.

- Connect the DIN rail connectors together for a connection station.
- Push the connected DIN rail connectors into the DIN rail.
- Place the device onto the DIN rail from above. Ensure the device and DIN rail connector are aligned correctly.
- Holding the device by the housing cover, carefully push the device towards the mounting surface so that the device bus connector is securely fixed onto the DIN rail connector.
- Once the snap-on foot has been audibly snapped onto the DIN rail, check that it is fixed securely. The device is only mechanically secured via the DIN rail.
- Connect the desired number of I/O extension modules to the wireless module via the DIN rail connector.
- In order to meet the requirements for the protection class, install the device in suitable housing.
- During startup, check that the device is operating, wired, and marked correctly.

### Removing

- Use a suitable screwdriver to release the locking mechanism on the snap-on foot of the device.
- Hold onto the device by the housing cover and carefully tilt it upwards.
- Carefully lift the device off the DIN rail connector and the DIN rail.

## 6.10 Connecting cables

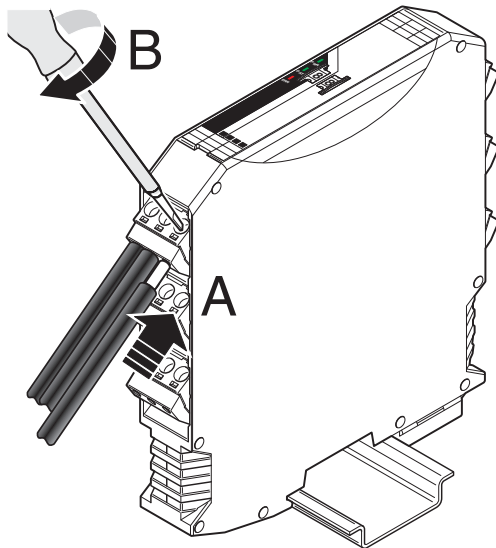


Figure 8 Connecting cables

- Crimp ferrules to the wires.  
Permissible cable cross section: 0.2...2.5 mm<sup>2</sup>.
- Insert the wire with ferrule into the corresponding connection terminal block.
- Use a screwdriver to tighten the screw in the opening above the connection terminal block.  
Tightening torque: 0.6 Nm

## 7 Process data

You can read or write the process data via the serial interface of the master wireless module (RAD ID = 01) using Modbus RTU commands.

With the SATEL-LP-CONF software, you can set the wireless module's network application to "PLC/Modbus RTU mode".

| I/O module           |                   | SATEL-LP-DI8       |                      |
|----------------------|-------------------|--------------------|----------------------|
| Module type          | 02 <sub>hex</sub> | 40 <sub>hex</sub>  | 40 <sub>hex</sub>    |
|                      | Static mode       | Pulse counter mode | Pulse counter mode   |
| Number of registers  | 02 <sub>hex</sub> | 06 <sub>hex</sub>  | 02 <sub>hex</sub>    |
|                      | Static inputs     | Pulse inputs       | Reset counter states |
| Address space        | 30xx0...30xx1     | 30xx0...30xx5      | 40xx0...40xx1        |
| Modbus function code | fc04              | fc04               | fc 03, 16            |

xx = I/O MAP address set using the white thumbwheel

| 30xx0 |    | Module type and currentness of data |    |    |    |    |    |    |             |    |    |    |    |    |    |  |  |  |  |  |  |  |
|-------|----|-------------------------------------|----|----|----|----|----|----|-------------|----|----|----|----|----|----|--|--|--|--|--|--|--|
| 15    | 14 | 13                                  | 12 | 11 | 10 | 09 | 08 | 07 | 06          | 05 | 04 | 03 | 02 | 01 | 00 |  |  |  |  |  |  |  |
|       |    |                                     |    |    |    |    |    | Y  | Module type |    |    |    |    |    |    |  |  |  |  |  |  |  |

### Register values:

|                     |   |
|---------------------|---|
| Module type         | If the module type in the register is invalid or unavailable, then the register value is 0  |
| Currentness of data | Y = Currentness of data, bit 8<br>If the data in the register is not up-to-date, then the register value is 1.<br>This is the case, for example, if the wireless connection or communication with an input module fails. In this case, the IN process data is retained in the Modbus table, but is no longer updated. |

| 30xx1          |    | Digital inputs DI1 ... DI8 (static mode) |    |    |    |    |    |     |     |     |     |    |    |    |    |    |  |  |  |  |  |  |  |
|----------------|----|--|----|----|----|----|----|-----|-----|-----|-----|----|----|----|----|----|--|--|--|--|--|--|--|
| 15             | 14 | 13                                       | 12 | 11 | 10 | 09 | 08 | 07  | 06  | 05  | 04  | 03 | 02 | 01 | 00 |    |  |  |  |  |  |  |  |
|                |    |  |    |    |    |    |    | DI  | DI  | DI  | DI  | DI | DI | DI | DI | DI |  |  |  |  |  |  |  |
|                |    |  |    |    |    |    |    | 8   | 7   | 6   | 5   | 4  | 3  | 2  | 1  |    |  |  |  |  |  |  |  |
| Terminal point |    |  |    |    |    |    |    |     |     |     |     |    |    |    |    |    |  |  |  |  |  |  |  |
|                |    |  |    |    |    |    |    | 5.x | 4.x | 3.x | 2.x |    |    |    |    |    |  |  |  |  |  |  |  |

| 30xx2                       |    | DI1: 32-bit pulse input, pulse counter mode (terminal point 2.x) |    |    |    |    |    |    |    |    |    |    |    |    |    |  |  |  |  |  |  |  |
|-----------------------------|----|--|----|----|----|----|----|----|----|----|----|----|----|----|----|--|--|--|--|--|--|--|
| 15                          | 14 | 13   | 12 | 11 | 10 | 09 | 08 | 07 | 06 | 05 | 04 | 03 | 02 | 01 | 00 |  |  |  |  |  |  |  |
| Counter state DI1, low word |    |  |    |    |    |    |    |    |    |    |    |    |    |    |    |  |  |  |  |  |  |  |

| 30xx3                        |    | DI1: 32-bit pulse input, pulse counter mode (terminal point 2.x) |    |    |    |    |    |    |    |    |    |    |    |    |    |  |  |  |  |  |  |  |
|------------------------------|----|--|----|----|----|----|----|----|----|----|----|----|----|----|----|--|--|--|--|--|--|--|
| 15                           | 14 | 13   | 12 | 11 | 10 | 09 | 08 | 07 | 06 | 05 | 04 | 03 | 02 | 01 | 00 |  |  |  |  |  |  |  |
| Counter state DI1, high word |    |  |    |    |    |    |    |    |    |    |    |    |    |    |    |  |  |  |  |  |  |  |

| 30xx4                       |    | DI7: 32-bit pulse input, pulse counter mode (terminal point 5.x) |    |    |    |    |    |    |    |    |    |    |    |    |    |  |  |  |  |  |  |  |
|-----------------------------|----|--|----|----|----|----|----|----|----|----|----|----|----|----|----|--|--|--|--|--|--|--|
| 15                          | 14 | 13   | 12 | 11 | 10 | 09 | 08 | 07 | 06 | 05 | 04 | 03 | 02 | 01 | 00 |  |  |  |  |  |  |  |
| Counter state DI7, low word |    |  |    |    |    |    |    |    |    |    |    |    |    |    |    |  |  |  |  |  |  |  |

| 30xx5                        |    | DI7: 32-bit pulse input, pulse counter mode (terminal point 5.x) |    |    |    |    |    |    |    |    |    |    |    |    |    |  |  |  |  |  |  |  |
|------------------------------|----|--|----|----|----|----|----|----|----|----|----|----|----|----|----|--|--|--|--|--|--|--|
| 15                           | 14 | 13   | 12 | 11 | 10 | 09 | 08 | 07 | 06 | 05 | 04 | 03 | 02 | 01 | 00 |  |  |  |  |  |  |  |
| Counter state DI7, high word |    |  |    |    |    |    |    |    |    |    |    |    |    |    |    |  |  |  |  |  |  |  |

|                 |          |
|-----------------|----------|
| 40xx2 ... 40xx9 | Reserved |
|-----------------|----------|

| 40xx1 |    | Reset of counter states DI1/DI7 |    |    |    |    |    |    |    |    |    |    |    |    |    |  |  |  |  |  |  |  |
|-------|----|---------------------------------|----|----|----|----|----|----|----|----|----|----|----|----|----|--|--|--|--|--|--|--|
| 15    | 14 | 13                              | 12 | 11 | 10 | 09 | 08 | 07 | 06 | 05 | 04 | 03 | 02 | 01 | 00 |  |  |  |  |  |  |  |
|       |    |                                 |    |    |    |    |    |    |    |    |    |    |    | X  | X  |  |  |  |  |  |  |  |

**Bit 1 = 1:** counter state DI7 reset to 0

**Bit 0 = 1:** counter state DI1 reset to 0

|                 |          |
|-----------------|----------|
| 40xx2 ... 40xx9 | Reserved |
|-----------------|----------|

### 7.1 Functions in pulse counter mode

Max. counter state: 4.294.967.295

#### Reset counter state via Modbus/RTU

- Reset the counter states via Modbus/RTU as follows:  
DI1: bit 0 = 1 (register 40xx1)  
DI7: bit 1 = 1 (register 40xx1)