

SenNet T - RF Temperature sensor

Content

Technical description of the product SenNet T - RF; compact temperature sensor with battery and radio frequency connectivity.

The SenNet dataloggers can read the information of the SenNet T - RF devices using the radio frequency network.

Warnings

Please read carefully the technical specifications and the recommendations before connecting the device. This is a precision electronic device; do not install it near heat/cold sources, radiating sources, corrosive environments or explosive atmospheres that could damage the device.

Warranty

Any internal modification will void the warranty.

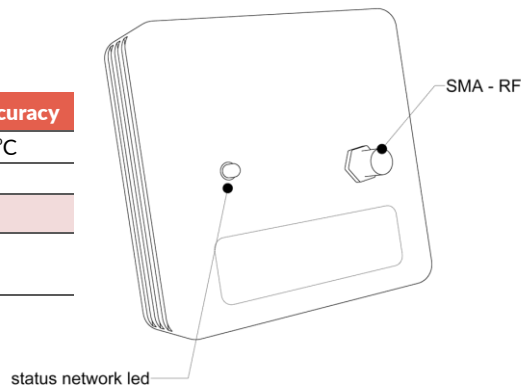
Antennas

The antennas should be installed following the ESD protections to prevent damage to the device. The connector is SMA-male.

Connexion

This device is powered by a 3.6 V battery (included)

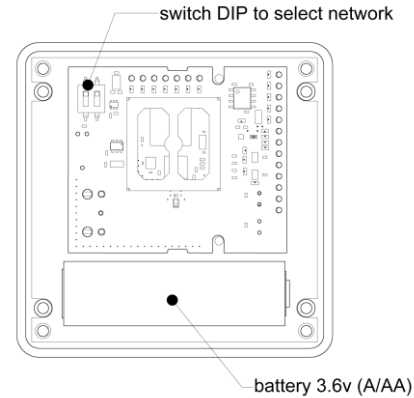
Characteristics	Range	Accuracy
Temperature	-40 +85°C	±1°C
Sending frequency	5 min	
Battery durability (3600mAh @ 3.6V)		
Sending environmental data (every 5 min)	3 years (approx.)	



RF configuration

The device will be automatically connected to the datalogger by RF. To connect to the RF network, there is a unique identifier for each RF device. (See the label on the side of the device).

It is possible to have up to 4 independent networks in the same place. To set the network ID there is a DIP switch under the cover. The factory setting is network n. '1' and data are sent every 5 min.



DIP switch		
NET	DIP-1	DIP-2
1	OFF	OFF
2	ON	OFF
3	OFF	ON
4	ON	ON

SenNet - RF



Devices that can be connected by RF to the SenNet DL dataloggers