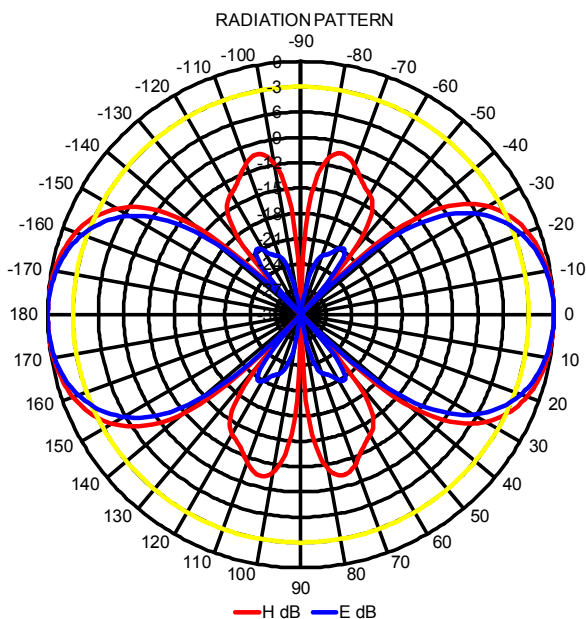
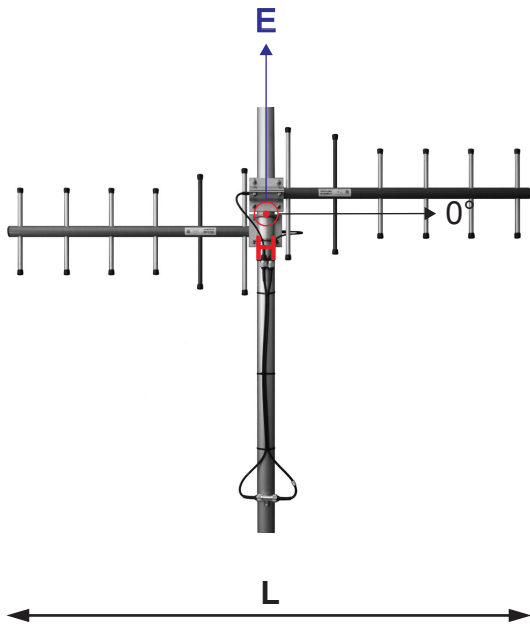


ComAnt[®] Communications Antennas

FREQUENCY INDEPENDENT DATA

Description: directional end fire yagi array, field adjustable pattern
Frequency: 326-353 MHz, 336-364 MHz, 365-395 MHz, 380-410 MHz, 405-440 MHz, 440-475 MHz
Impedance: 50 ohm
Gain: 9 dBi
H -3 dB: 52°
E -3 dB: 46°
F/B: 0 dB
Polarization: vertical/horizontal
Connector: N-female/TNC-female
VSWR: < 1.5
Radome: UV resistant ABS/FG, RAL 7012, PU foam filling
Radiator: copper
Passive elements: coated aluminium
Attachment: Ø 35-60 mm, aluminium alloy bracket, stainless steel V-bolts and self-locking nuts
Lightning protection: DC-short circuited
Temperature: -40°C - +80°C
IP: 67



CAF2++ DIRECTIONAL END FIRE YAGI ARRAY