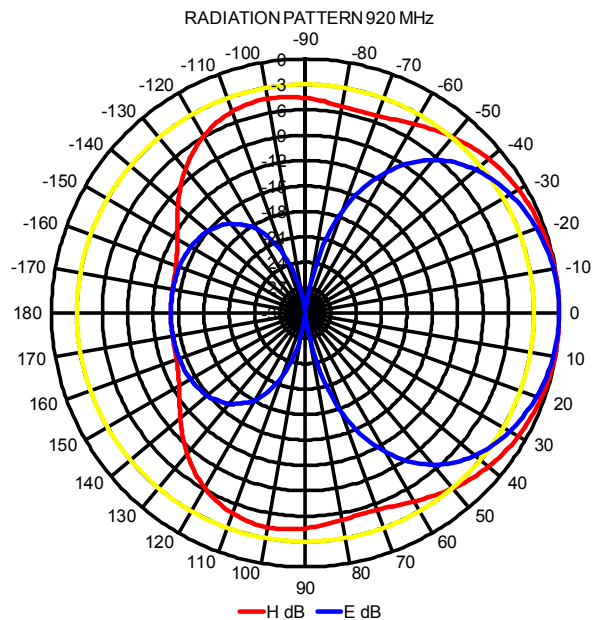
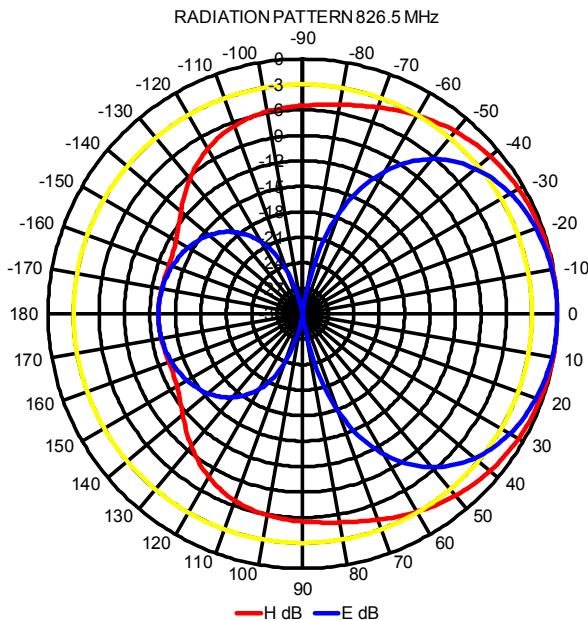
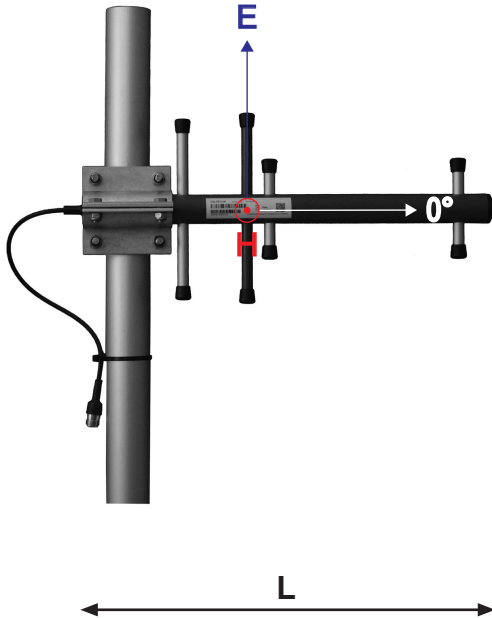


ComAnt[®] Communications Antennas

FREQUENCY INDEPENDENT DATA

Description: directional yagi
 Frequency: 791-862/880-960MHz
 Impedance: 50 ohm
 Gain: 6/6 dBi
 H -3 dB: 119/102°
 E -3 dB: 75/72°
 F/B: 13/14 dB
 Polarization: vertical/horizontal
 Connector: N-female
 VSWR: < 1.3
 Radome: UV resistant ABS, RAL 7012, PU foam filling
 Radiator: copper
 Passive elements: coated aluminium
 Attachment: Ø 35-60 mm, aluminium alloy bracket, stainless steel V-bolts and self-locking nuts
 Lightning protection: DC-short circuited
 Temperature: -40°C - +80°C
 IP: 67



CALTEY DIRECTIONAL YAGI