

ComAnt[®] Communications Antennas

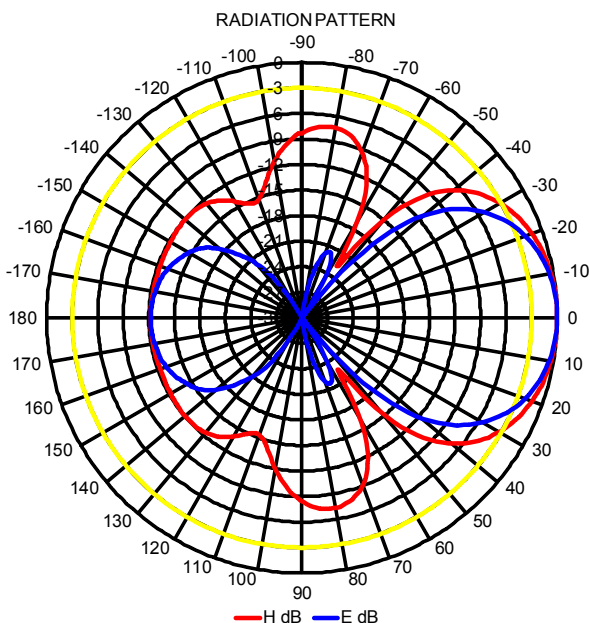
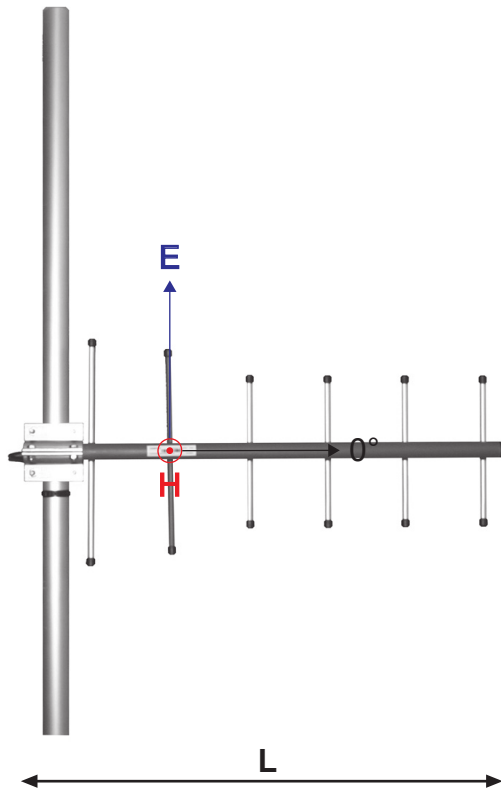
FREQUENCY INDEPENDENT DATA

Description: directional yagi
 Frequency: 326-353 MHz, 336-364 MHz,
 365-395 MHz, 380-410 MHz,
 405-440 MHz, 440-475 MHz,
 830-890 MHz, 880-960 MHz

Impedance: 50 ohm
 Gain: 10 dBi
 H -3 dB: 59°
 E -3 dB: 47°
 F/B: 12 dB
 Polarization: vertical/horizontal
 Connector: N-female/TNC-female
 VSWR: < 1.5
 Radome: UV resistant ABS/FG,
 RAL 7012, PU foam filling
 Radiator: copper

Passive elements: coated aluminium
 Attachment: Ø 35-60 mm, aluminium alloy
 bracket, stainless steel V-
 bolts and self-locking nuts

Lightning protection: DC-short circuited
 Temperature: -40°C - +80°C
 IP: 67



CAY++ DIRECTIONAL YAGI